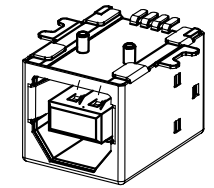


PCB Layout

RoHS Compliant

Specifications:
 Current Rating:1.0A AC,DC
 Voltage Rating:30V AC,DC
 Contact Resistance:30m Ohm Max
 Insulation Resistance:1,000M Ohm Min
 Withstanding Voltage:500V AC/Minute
 Operating Temperature Range:-40°C to +105°C
 Materials:



Insulator:High Temp.Plastic (Nylon 6T UL94V-0)
 Contact:Phosphor Bronze
 Plating:Gold Plated on Contact Area,
 Tin Plated on Solder Tail.

Shell:Brass,Nickel Plate

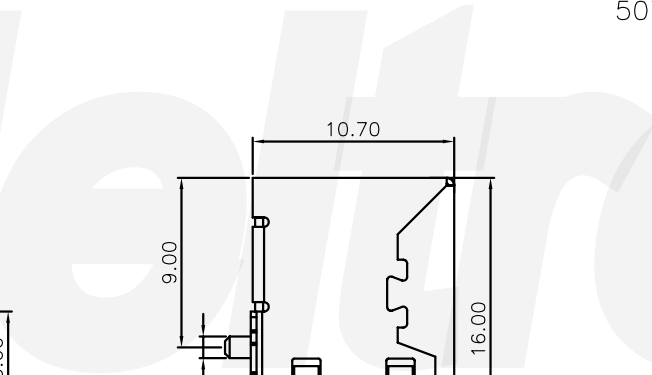
Packing:150Pcs/Reel

How To Order

5075BR-04-SM-XX



BK:Black
 WH:White
 SMD Type
 No.of Positions
 B Type&Right Angle



REV	DATE	FILE	BY
A	17-Apr-2008	(PC0001)	P.D.J
B	27-Nov-2008	ECN-CN081143	P.D.J
C	25-Dec-2008	ECN-CN081239	zhangxh

DRAWN: Leo
CHECKED: Jeremy Liu
APPROVAL: Mike Wu

GENERAL TOLERANCE: .X=±0.20 .XX=±0.15
UNIT: MM
SCALE: 1:1
SHEET: 1 / 1
PROJECTION:

 繼德工業股份有限公司 Neltron Industrial Co., Ltd.	
DESCRIPTION: USB B Type PCB Socket Right Angle SMD Type	SIZE A4
PART NO: 5075BR-04-SM-XX	

SIZE A4
